

All Terrain Staging
by IntelliStage™



All Terrain Staging

by IntelliStage™



Contents

Introduction	2
About IntelliStage	2
Features	3
Specifications	3
Important Safety Instructions	3
Meet the Components	4
Before You Begin	5
Leg Assembly Procedure	5
Stage Assembly	6
Elevated Stage Sections	7
Guardrail Installation	7
Stair Assembly & Installation	8
Slope Adjustment Wedges	9
All Terrain Spikes.....	9
Rubber Matts	9
Sizes and Configurations	10
Accessories & Individual Leg Components	11
Warranty	11

Introduction

Thank you for being a Road Ready Customer and welcome to the family.

We do one thing and do it well – build products that make your life easier. Crafting innovative, quality products is our calling and we take it seriously. Strong, lightweight and versatile, your **All Terrain Staging by IntelliStage™** system is crafted out of the finest materials available and put through our grueling quality check before it ships out the door.

We thank you for your purchase and know that your **All Terrain Staging by IntelliStage™** system will definitely steal the show! However, if you should require any assistance or service, you'll find that we take as much pride in supporting our products as we do in designing and building them.

About All Terrain Staging by IntelliStage™

Perfect for outdoor concerts, performances and large exhibits, **All Terrain Staging by IntelliStage™** is the ultimate in versatility and ruggedness. Consisting of lightweight aluminum truss frames and modular adjustable legs that can be adjusted to bring your stage to the perfect height regardless of sloping or uneven ground. Easily assembled by as a few as 1 or 2 people, side panels, legs and guardrails easily slide into place. Each platform can bear weight up to 157 lbs./sq. ft.

When it's time to break down, you'll find that disassembly is a breeze. **All Terrain Staging by IntelliStage™** is available in kits designed specifically for various applications. See our catalog or visit us online at www.IntelliStage.com for more details.

Optional upgrade accessories like guardrails, stairs, skirts, and leg slope adjustment wedges are also available. Go on; feel free to take the stage.

Features:

Platforms:

- Lightweight and compact for easy setup, transport and storage.
- Water resistant Industrial finish or Aluminum weatherproof finishes available.
- Multiple layer platform construction featuring an aluminum lattice structure with a weight capacity of up to 157 lbs./sq. ft.

Legs:

- Lightweight legs can be adjusted at 24, 32, 40 or 48 inches (60, 80, 100 and 120cm) using interchangeable leg extension tubes.
- Legs are shared between adjacent platforms.
- Accessories such as rubber mats, slope adjustment wedges and spikes for soft ground and slope applications are available.

Side Panels:

- Lightweight and strong tubular aluminum construction.
- Side Panels are shared between adjacent platforms.

Specifications

Platforms:

- Finish: Industrial - Water Resistant
Aluminum - Weatherproof
- Sizes: Available in 4' x 4' platforms as well as 1m x 1m platforms

Platform Weights:

- 4' x 4' Weather resistant - Industrial finish platforms - 52lbs (24kg)
- 4' x 4' Weather proof - Aluminum finish platforms - 45lbs (20.5kg)
- 1mtr x 1mtr Weather resistant - Industrial finish platforms - 37lbs (17kg)
- 1mtr x 1mtr Weather proof - Aluminum finish platforms - 33lbs (15kg)

Legs:

- Finish and Material: Tubular Aluminum
- Dimensions: Height can be adjusted to 24, 32, 40 or 48 inches (60, 80, 100 and 120cm) using interchangeable leg extension tubes.

Side Frames:

- Finish and Material: Tubular Aluminum
- Dimensions: 4' or 1mtr in length

Weight Capacity:

- 157 lbs./sq. ft.

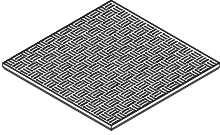


Important Safety Instructions:

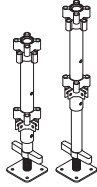
- 1.) Read and follow all instructions
- 2.) Do not exceed the maximum weight capacity
- 3.) Make sure all components are secured before use
- 4.) Make sure platforms are level before use of stage
- 5.) **Make sure all legs are in firm contact with the ground**

Meet the Components:

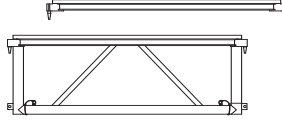
Putting together your **All Terrain Staging by IntelliStage™** system was designed to be simple enough for anyone to do. Consequently, the number of components you will encounter in the assembly process is limited. Nonetheless, let's take a moment for a little meet and greet...



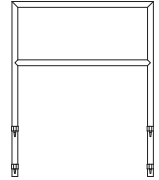
A.) Platform



B.) Leg Assembly



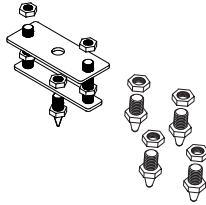
C.) Side Panels



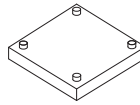
D.) Guard Rails



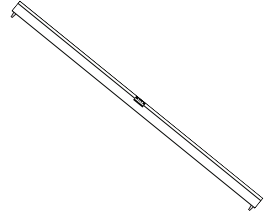
E.) Stair Package



F.) Slope Adjustment Wedges & All Terrain Spikes



G.) Rubber Mats



H.) Stage Alignment Tool

A.) Platform

Weather resistant or waterproof stage surface. Supports up to 157 lbs./sq. ft. Platforms weigh between 39.7-52lbs (18-24KG).

B.) Leg Assembly

Height can be adjusted at 24, 32, 40 or 48 inches (60, 80 100 and 120cm) using interchangeable leg extension tubes.

C.) Side Panels

Lock legs together and creates the frame to support platforms. Special side panels and leg top fixtures are required when creating a multi-level stage riser.

D.) Guard Rails

Guard rails are optional stages add-ons that provides an additional measure of safety.

E.) Stair Package

Stairs are available in either 3 or 5 step packages. 3 step packages are designed for 24-32in (60-80cm) stages. 5 step packages are designed for 40-48in (100-120cm) stages. Guard rails are available separately.

F.) Slope Adjustment Wedges & All Terrain Spikes

Adjustment wedges and All Terrain Spikes are leg accessories that can be attached to the base of each leg to help adapt to sloped, uneven or soft ground such as dirt/grass.

G.) Rubber Mats

Rubber Mats are designed to protect the underlying floor surface while also increasing stage grip on any smooth or waxed floor surface.

H.) Stage Alignment Tool

The Stage Alignment tool has a built in level and is designed to help ensure that the all Side Panels and legs are square and level.

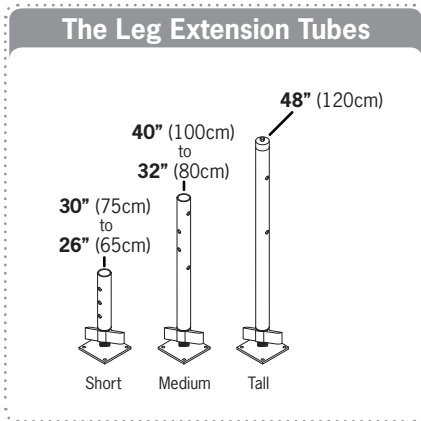
Before you begin

Unpack all hardware and accessories and familiarize yourself with the individual pieces. Verify that you have all components and enough space to properly set up your stage.

Leg Assembly Procedure

1) Assemble the stage legs as shown. Each leg assembly is composed of a base, extension tube (optional) and top fixture (Figure A).

Note: The middle extension tube will determine the minimum and maximum height your stage can be configured. Depending on your needs the extension tube can be excluded, or even interchanged with different height tubes to change the height of the stage.

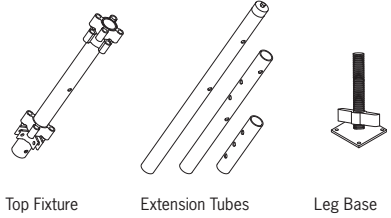


2) Should your legs require extension tubes, adjust the legs to the desired height and lock them in place with the provided hardware. Tighten the set-screw with a hex key to firmly secure extension tube in place.

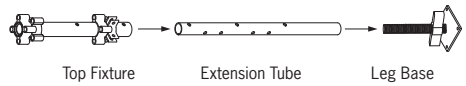
3) 48" / 120cm high legs have a rubber insert at the top of the extension tube. Tighten the insert with a 14mm wrench.

4) Finish assembling all legs to the required configurations.

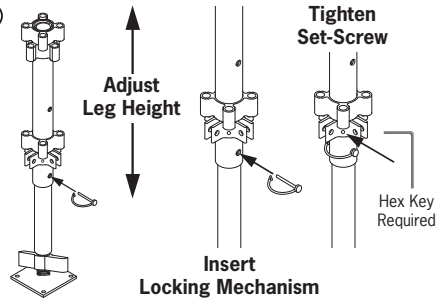
(A)



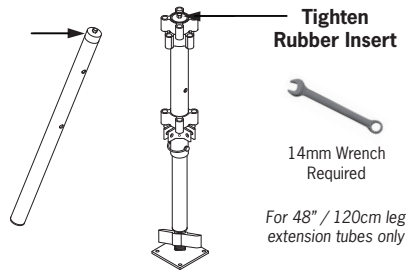
(1)



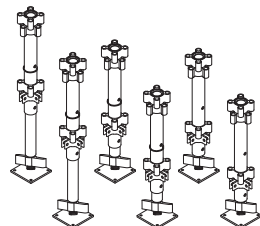
(2)

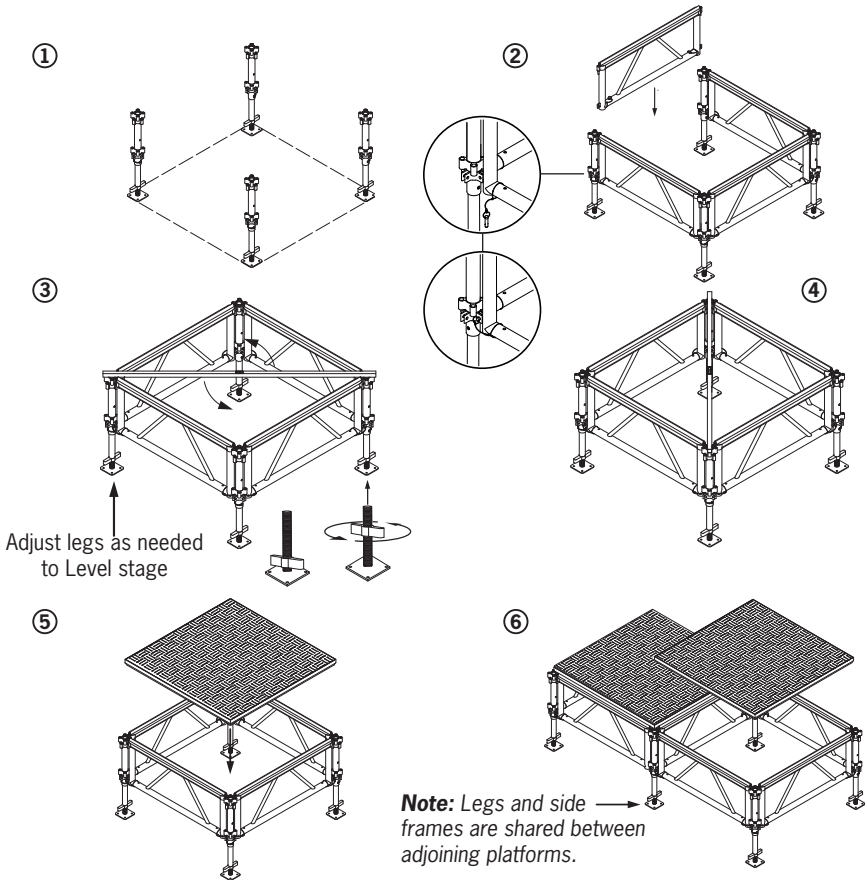


(3)



(4)





Note: Legs and side frames are shared between adjoining platforms.

Stage Assembly

- 1) Position 4 legs where your first platform will be setup.

Note: If you have uneven ground it may be necessary to adjust the legs by turning the screw adjustment on the leg base or by repositioning the extension tube locking mechanism to change the height of the leg.

- 2) Secure all legs together with the **All Terrain Staging by IntelliStage™** Side Panels. Side panels slide into the marked BLUE set of tubular fixtures on the legs as shown on Page 7 Fig. 5 “A Closer Look”. The marked RED sets of tubular fixtures are for guardrails. Side panels lock into place with locking pins as shown in Fig. 2.

- 3) Using a level (or the integrated level on the stage alignment tool - sold separately) verify that your frame is properly leveled. Make adjustments to the leg screw bases to level the stage.

- 4) Verify that your first stage assembly is square by either measuring diagonally or by using the stage alignment tool accessory.

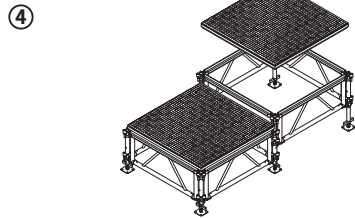
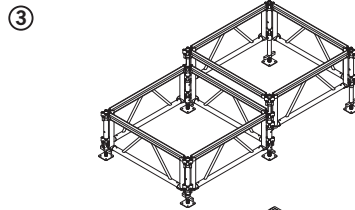
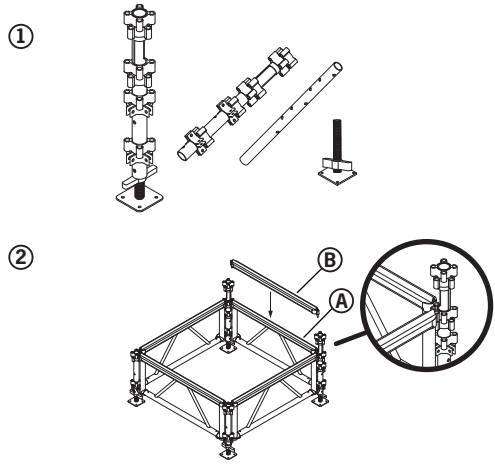
- 5) Place your first platform on top of the stage assembly and make sure the platform is aligned and secured within the Side Panel profile. **Make sure everything is aligned before proceeding.**

- 6) Complete the rest of your stage following the same procedure.

Elevated Stage Sections

In some configurations it may be necessary to have adjacent platforms at different heights.

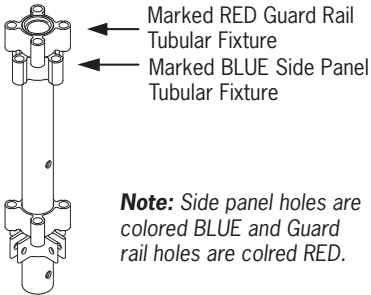
- 1) Begin by configuring a set of legs with the specialized extension top fixtures as shown. You will need to replace your current leg top fixture with the ATLSTD top fixture.
- 2) Attach the side panels labeled (A) and the elevated side panel labeled (B) as shown. The Leg Top Fixture has a notch which must face the lower panel.
- 3) All other sides are built as previously shown with the extension tube expanded and locked in place.
- 4) Place your platforms onto the finished frames to complete.



Guardrail Installation

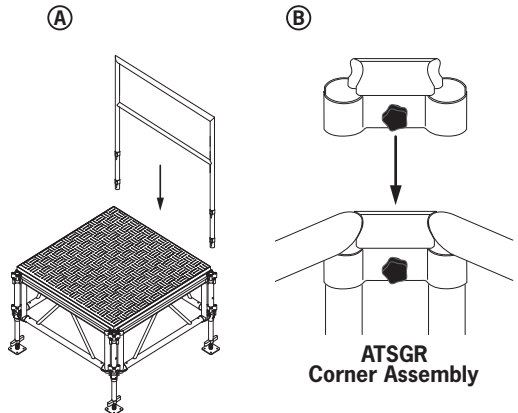
Guardrails attach to the higher set of tubular fixtures on each leg top fixture as shown.

Fig 5. A Closer Look:



A) Guardrails slide into place as shown.

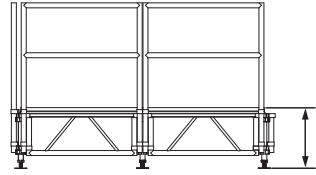
B) Once all guardrails are in place secure the guard rail corners using ATSGR Guard Rail Corner Adapters as shown.



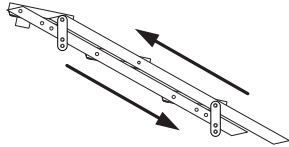
Stair Assembly & Installation

- 1) Measure the height of your stage where you plan to attach the staircase. **3 Step stairs** can be set up for 24 or 32 inches (60 or 80cm) high stages. **5 Step stairs** can be set up for 40 or 48 inches (100 or 120cm) high stages.
- 2) Turn stair package on its side and work from the top. Loosen all bolts and reposition the steps to the selected slope angle.
- 3) Secure the side adjustment brackets to the proper hole for your stage. The side adjustment brackets are designed to configure your stairs to either 24, 32, 40 or 48 inches (60, 80, 100, 120cm) depending on how many steps you have. The holes are labeled #1 and #2 please see Figure 3 for height details. If you have a height in between one of these adjustments you will need to secure your stairs once they have been attached to your stage.
- 4) Attach your stairs to the stage by sliding the stair pegs into the marked RED set of tubular fixtures on the leg top fixture as shown in Figure 4.
- 5) Assemble and attach the guardrails to the stairs as shown. You may need to loosen the bolts as indicated in Figure 5.

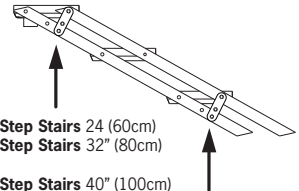
①



②

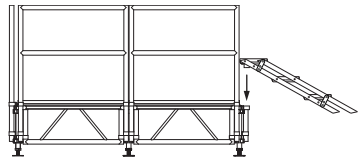


③

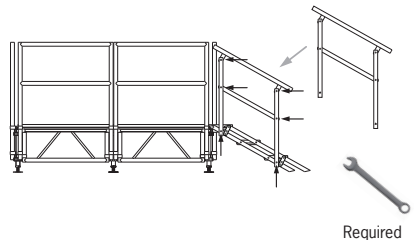


- #1 - 3 Step Stairs 24" (60cm)
- #2 - 3 Step Stairs 32" (80cm)
- #1 - 5 Step Stairs 40" (100cm)
- #2 - 5 Step Stairs 48" (120cm)

④



⑥



Stair Guard Rail Assembly:

⑤

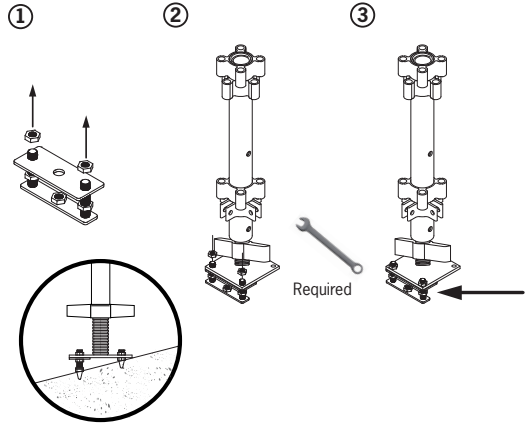
Required

- 6) Tighten all stair and guard rail bolts to complete the assembly.

Slope Adjustment Wedges

Slope Adjustment Wedges provide **All Terrain Staging by IntelliStage™** the ability to adapt to sloped or inclined surfaces. Wedges can be combined with **All Terrain Spikes** for added grip on soft ground as shown in Fig. 1.

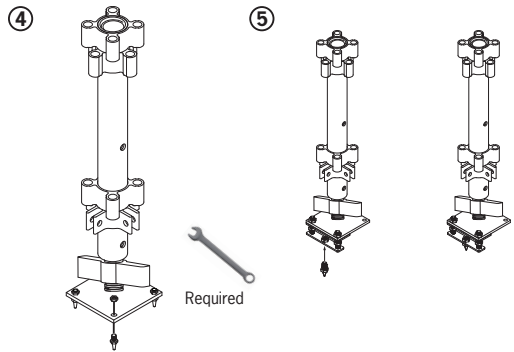
- 1) Start by taking the two top nuts off of the wedge assembly so that it can be attached to the leg base.
- 2) Wedges attach to the corner holes of the leg base as shown. Secure the assembly by hand tightening the nuts.
- 3) Once the wedge is attached to the leg base adjust the wedge to the proper slope using two 17mm wrenches. Adjustments are achieved by turning the nuts to increase the or decrease the wedge height.



All Terrain Spikes

All Terrain Spikes provide extra grip to help secure your stage when installed on loose, wet, muddy or inclined surfaces.

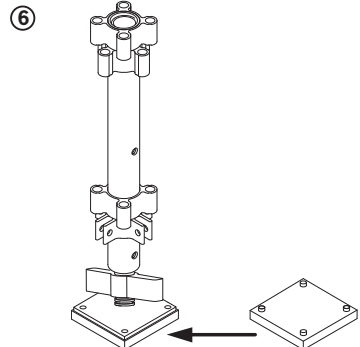
- 4) All Terrain Spikes attach to the hole at each corner of the leg base as shown. Spikes are secured using two 17mm wrenches.
- 5) A single spike can be attached to the slope adjustment wedge assembly as shown.



Rubber Mats

Rubber Mats are designed to protect the underlying floor surface while also increasing stage grip on any smooth or waxed floor surface.

- 6) Rubber mats are placed between the leg base and floor surface as shown.



Sizes & Configurations

US Platforms

Square Platforms

- AT4PRD 4 ft x 4 ft weather resistant stage platforms
- industrial finish (2pcs per master pack)
- AT4PWD 4 ft x 4 ft weather proof aluminum stage
platforms (2pcs per master pack)

US Stage Legs

Complete Leg Assembly

- ATLAED Stage leg assembly for 24, 32 or 40in
2pcs per master pack

US Side Panels

- AT4SP4 4ft long aluminum stage side panels (4pcs per
master pack)
- AT4CS 4ft long aluminum side panel for connection of
various stage heights (single pack)

US Guard Rails

- AT4GRD Side guard rails for 4 ft x 4ft stage platforms
(2pcs per master pack)
- ATSGR Corner guard rail adapter for stage system (single
pack)

US Stair Packages

3 Step Stair Package

- AT4ST3 Three steps, universal weather resistant
industrial finish stair assembly for All Terrain
stage - for 24 & 32 inch high stages
- AT4STW3 Three steps, universal weather proof aluminum
stair assembly for All Terrain stage - for 24 & 32
inch high stages

5 Step Stair Package

- AT4ST5 Five steps, universal weather resistant industrial
finish stair assembly for All Terrain stage - for 40
& 48 inch high stages
- AT4STW5 Five steps, universal weather proof aluminum
stair assembly for All Terrain stage - for 40 & 48
inch high stages

US Skirts

- ATSK8X24 8ft long black skirt for 24 inch high stage
- ATSK8X32 8ft long black skirt for 32 inch high stage
- ATSK8X40 8ft long black skirt for 40 inch high stage
- ATSK8X48 8ft long black skirt for 48 inch high stage

Euro Platforms

Square Platforms

- ATEPRD 1 m x 1 m weather resistant stage platforms
- industrial finish (2pcs per master pack)
- ATEPWD 1 m x 1 m weather proof aluminum stage
platforms (2pcs per master pack)

Euro Stage Legs

Complete Leg Assembly

- ATLAED Stage leg assembly for 60, 80 or 100cm
2pcs per master pack

Euro Side Panels

- ATESP4 1meter long aluminum stage side panels (4pcs
per master pack)
- ATECS 1meter long aluminum side panel for connection of
various stage heights (single pack)

Euro Guard Rails

- ATEGRD Side guard rails for 1 m x 1 m stage platforms
(2pcs per master pack)
- ATSGR Corner guard rail adapter for stage system (single
pack)

Euro Stair Packages

3 Step Stair Package

- ATEST3 Three steps, universal weather resistant
industrial finish stair assembly for All Terrain
stage - for 60cm & 80cm high stages
- ATESTW3 Three steps, universal weather proof aluminum
stair assembly for All Terrain stage - for 60cm &
80cm high stages

5 Step Stair Package

- ATEST5 Five steps, universal weather resistant industrial
finish stair assembly for All Terrain stage - for
100cm & 120cm high stages
- ATESTW5 Five steps, universal weather proof aluminum
stair assembly for All Terrain stage - for 100cm
& 120cm high stages

Euro Skirts

- ATSK2X60 2m long black skirt for 60cm high stage
- ATSK2X80 2m long black skirt for 80cm high stage
- ATSK2X100 2m long black skirt for 100cm high stage
- ATSK2X120 2m long black skirt for 120cm high stage

Accessories

ATLBRM10	Rubber non-slip mats for indoor use (10 pack)
ATLBAT4	All Terrain base spike adapters for outdoor use (4 pack)
ATLBAT16	All Terrain base spike adapters for outdoor use (16 pack)
ATLBWD	Adjustable wedges for stage leg's installation on slopes (2pcs per master pack)

Stage Alignment Tools

ATESAT	Euro - Stage alignment tool and level for 1m x 1m stages
AT4SAT	US - Stage alignment tool and level for 4ft x 4ft stages

Individual Leg Components

Top Fixtures

ATLTGR	Stage leg top fixtures for guardrail installation (single pack)
ATLST	Stage leg top fixtures for connection of various stage heights (single pack)
ATLSTD	Stage leg top fixtures for connection of various stage heights (2pcs per master pack)

Extension Tubes

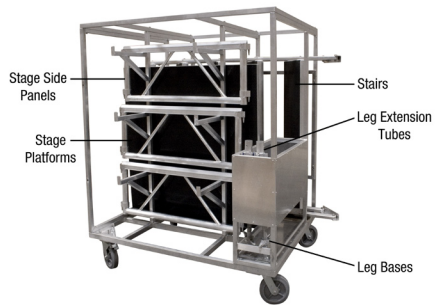
ATSLE	Short stage leg extensions (single pack)
ATSLED	Short stage leg extensions (2 pack)
ATLE	Medium stage leg extension (single pack)
ATLE10	Medium stage leg extension (10 pack)
ATLLE	Tall stage leg extensions 48"/120cm (single)
ATLLED	Tall stage leg extensions 48"/120cm (2 pack)

Adjustable Base

ATLB	Adjustable stage leg base (single pack)
ATLB10	Adjustable stage leg base (10 pack)

Transportation Systems

ATTR44	44" wide All Terrain Trolley - Can hold 17 side panels, 6 platforms and 1 stair package
ATTR36	36" wide All Terrain Trolley - Can hold 17 side panels and 6 platforms
ATGS36	36" wide All Terrain Guard Rail Trolley - Can hold 11 guard rail panels and 1 stair package



Limited 2 Year Warranty

Road Ready warrants to the original owner of each new IntelliStage All Terrain product, for a period of 2 years from the date of purchase, (provided that is purchased at an Authorized IntelliStage Dealer) that is free of defects in materials and workmanship and that each product meets or exceeds all factory published specifications. This warranty is void if the product has been tampered with or misused beyond reasonable wear, and shall not apply if the product has been physically damaged. Improper handling, set-up or use of this unit could cause it to fail which could lead to serious injury or death. Please be sure to read, understand and follow all operating instructions and weight load information in this manual before using this product. Do not allow children or untrained persons to use this product. There are no obligations of liability on the part of Road Ready for any personal injuries, death, consequential damage or any other indirect damages with respect to, loss of property, revenues, profit or costs of removals, installations or re-installations arising out of, or in connection with, the use or performance of an IntelliStage All Terrain product.



All Terrain Staging by IntelliStage™
12662 Corral Place ★ Santa Fe Springs CA 90670
Ph: 562.906.6185 ★ Fax: 562.906.6186
Email: usa@intellistage.com ★ www.IntelliStage.com